

Nano C8

Intel® Celeron® J6412 Quad Core processor
Micro Firewall Appliance



Features :

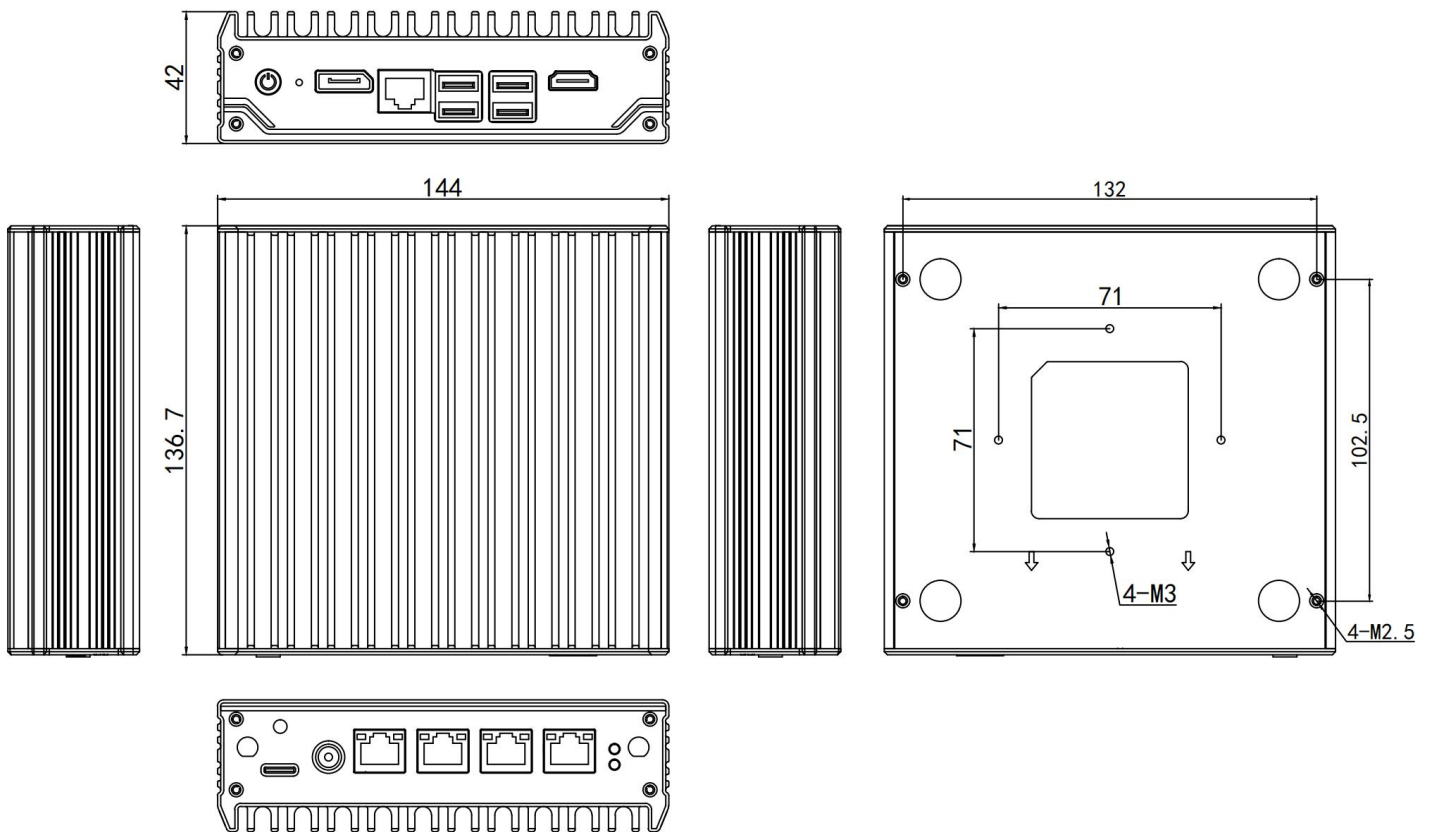
- ◇ All aluminum structure, fanless design ;
- ◇ Onboard Intel Celeron J6412 Quad Core processor ;
- ◇ Support 4*Intel i225-V 2.5G LAN ;
- ◇ Support 1*HDMI,1*DP ;
- ◇ Support 1*SODIMM DDR4,Max:32 GB
- ◇ Support OS:



Specification

Model	Nano C8
Color	Metal gray (color can be customized)
Material	High-quality all aluminum, surface anodic oxidation
Processor	Onboard Intel Celeron J6412(Quad core quad threading, 2.0GHz, pulse frequency 2.6GHz)
CPU Architecture	Elkhart Lake
RAM	Support 1*DDR4 3200MHz SODIMM Memory Slot, Max. Support 32GB
BIOS	AMI UEFI BIOS
Display Chip	Intel(R) UHD Graphics
Display Port	1*HDMI,1*DP(Support Synchronous/asynchronous dual display,Resolution Max., 4096x2160 @ 60Hz)
Front I/O	1*Power switch,1*DP,1*RJ45 COM(support Console function) 2*USB2.0,2*USB3.1,,1*HDMI,1*Restart button,
Rear I/O	4*RJ45 LAN,1*DC IN,1*SIM card slot
Expansion Slot	Support 1*M.2 2280 M-key slot(support SATA protocol) Support 1*M.2 2230 E-key slot(support WIFI、 Bluetooth) Support 1*mini PCIE slot(Support 4GM modem,outside SIM slot,support USB signal WiFi/Bluetooth)
Network	4*Intel i225-V 2.5G LAN
Storage	1*M.2 2280 slot,1*2.5 inch HDD/SSD
Input Voltage	DC 12V input
Other Function	Power-on, timed power-on, network wake-up, PXE boot, watchdog (level 0-255), TPM2.0 security encryption
Work Temp	0℃ ~ +40℃,surface air flow(HDD),-20℃ ~ +60℃,surface air flow(SSD),surface air flow
Work Humidity	0% - 95% non-condensing
Certificates	CE、 CCC、 FCC Class A、 ROHS
Dimension	144 * 136.7 * 42 mm
Net Weight	0.78 kg
Application	Industrial automation, medical, logistics and transportation, warehousing, electronic education and other fields

Nano C8 Drawing



Accessory

Name	Quantity	Specification
Power Adapter	1	12V 4A/12V 5A
Power Cord	1	Any Plug is optional (Chinese, British, USA standard etc)
VESA Braket	1	Standard

Order information

Configuration Nano C8 Intel Celeron J6412 Standard Port