

Partaker PA-3046

Intel®8th Core™ i5/i7 Processor
Fanless Industrial Computer



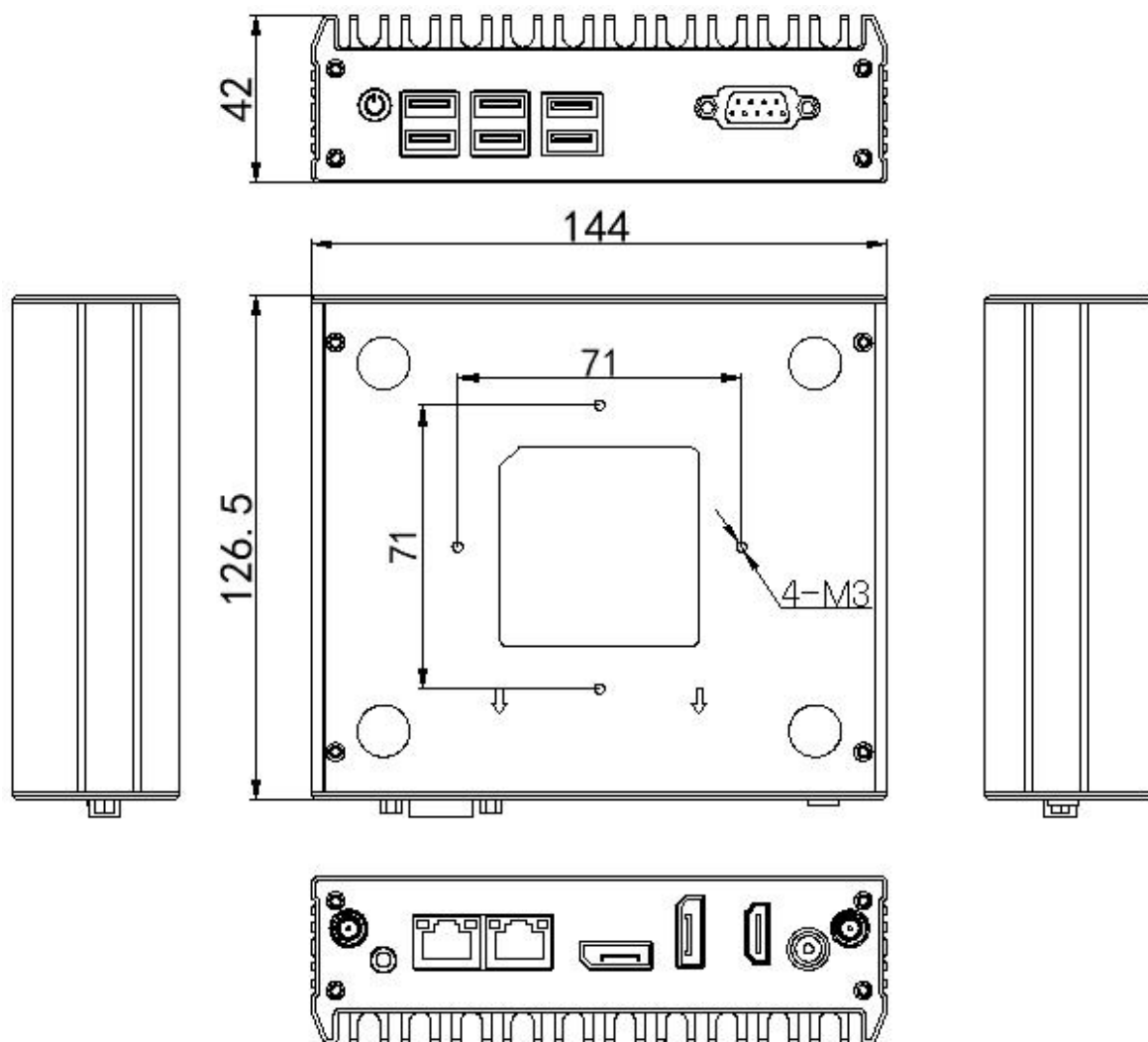
Features:

- All aluminum structure, Fanless design;
- Onboard Intel Whiskey Lake U series processors;
- Support 9~36V wide voltage; TPM2.0 Module;
- Support 4*COMs, 2*COM (RS232/485 Optional);
- Support 4*Intel 1000M lans;
- Support Desktop, Din Rail Mount, VESA, Wall Mount and etc.;
- Applied OS:



Specification

Model	PA-3046
Color	Model Titanium gray (Any color can be)
Material	Pure Aluminum
Processor	Support Intel Celeron 4205U (Dual core, 1.8GHz, 2 MB Cache) Support Intel Core i5-8265U (quad core 1.6GHz to 3.9GHz, 6MB Cache); Support Intel Core i7-8565U (quad core 1.8GHz to 4.6GHz, 8MB Cache)
RAM	Support 1*DDR4 2133/2400 SODIMM RAM, Max 32 GB
BIOS	AMI EFI BIOS
Display Chip	Support Intel UHD Graphics
Display Port	1*VGA, 1*HDMI (Support synchronous and asynchronous dual display)
Front I/O	2*USB2.0, 2*COM, 1*VGA
Rear I/O	4*Intel 1000M lans, 4*USB3.0, 1*HDMI, 1*Audio, 2*COM (COM1, 2 RS232/RS422/485 Optional), 1*DC phoenix power connector, 1*switch bottom
Expansion Slot	1*M.2 M-Key 2280 slot (support SATA signal) 1*MINI PCIE slot (WIFI or 3G or 4G), with SIM card slot Expansion port (Standard without those Pports): GPIO (8*Input 8*Output)、2*COMs、1*USB2.0
LAN	4*Intel i211-AT 10/100/1000M Ethernet LAN
Storage	1*M.2 2280 slot, 1*2.5inches HDD/SSD, support RAID 0/1
Power Supply	Support DC 9~36V, support positive and negative reverse protection
Other function	TPM2.0 modem、Auto power on when there is electricity、Timing boot、Wake on LAN、PXE boot、Watchdog (0~255 level)
Work Temp	0°C ~ +50°C (HDD), -20°C ~ +60°C (SSD), Surface air flow
Work Humidity	5% ~ 95% non-condensing
Certification	CE、CCC、FCC Class A、ROHS
size	280 * 143 * 40 mm
weight	1.8kg



Order information

Configuration 1		Intel Celeron 4205U	Standard
Configuration 2	PA-3046	Intel Core i5-8265U	Standard
Configuration 3		Intel Core i7-8565U	Standard

Accessory

Name	Quantity	Spec
Power Adapter	1	12V 5A
Power Cord	1	Any Plug Optional (China, US, EU, UK etc.)