

# Z10 PA-140TPC-B

## 14" Industrial Panel PC Intel Celeron Or Core Series



### Features

- ◆ 14" TFT LED Panel, Resolution 1600\*900
- ◆ 10-point projected capacitive touch screen
- ◆ Optional Intel® Celeron® or Core processor
- ◆ System memory supports up to 8 GB DDR3L SDRAM
- ◆ Rugged aluminum panel with full-plane touch design
- ◆ Front panel protection class IP65
- ◆ Supports full-size Mini PCIe expansion
- ◆ Supports USB 3.0
- ◆ Supports Windows Embedded and Android
- ◆ Supports VESA 75

## Overview

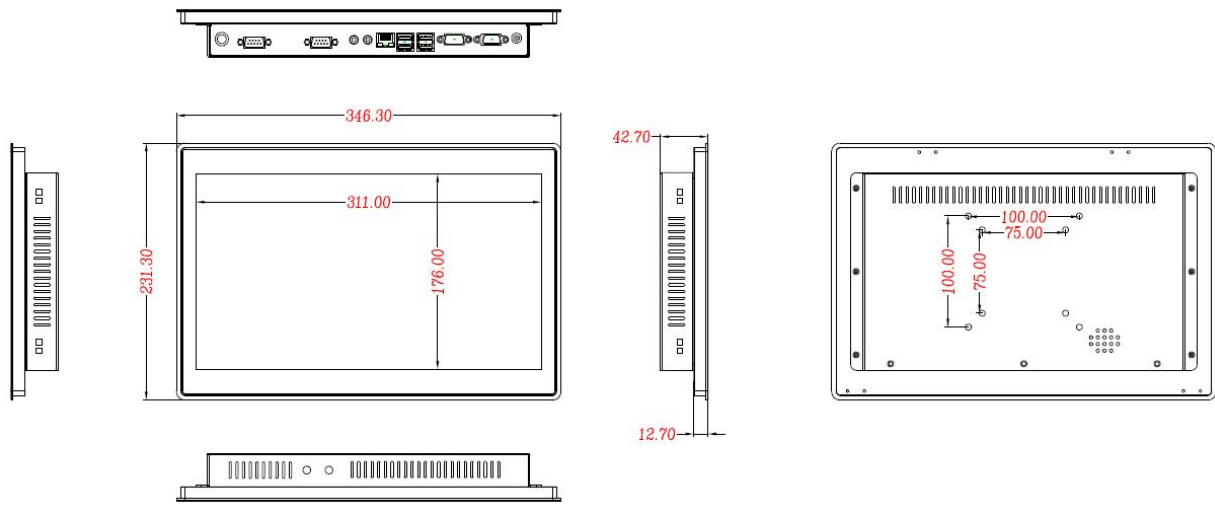
Z10 PA-140TPC-B is a cost-effective 14-inch LCD industrial tablet computer. You can choose Intel® Celeron® or Core processor. The compact embedded system can provide high-performance computing. High durability design, IP65 front panel protection, rugged aluminum alloy case, 10-point projected capacitive touch screen, supports 2 to 3 serial ports, 4 USB ports and 1 Gigabit Ethernet port to meet various industrial applications.

## Specification

<b>CPU</b>	CPU	Intel® Celeron® J1800 (optional J1900 / 3855u / i3 / i5 / i7)
	frequency	2.41GHz (Choose different CPUs)
	Secondary cache	1MB (Choose from different CPUs)
	RAM	1 x SO-DIMM, DDR3L 1333, up to 8 GB
	Storage	1 x 2.5" SATA Bay, 1 x mSATA Bay
	Network (LAN)	1 x 10/100/1000 Mbps Ethernet
	I/O Interface	J1800/J1900/3855u with 3 x RS232, i3/i5/i7 with 2 x RS232
	Extension	1 x Full-size Mini PCIe slot
	Watchdog timer	255 levels
<b>Physical properties</b>	Size	346.3 x 231.3 x 42.7 mm
	Weight	2.55 Kg
<b>operating system</b>	OS	Windows 7 32bit&64bit / Windows 8.1 32bit&64bit Windows 10 32bit&64bit/WES7/Linux
<b>Power consumption</b>	Input voltage	12 Vdc
	Power consumption	18 ~ 25W (different CPUs have slightly different power consumption)
<b>LCD display</b>	Display type	14 "TFT LCD (LED backlight)
	Resolution	1600 x 900
	Perspective	45 (left), 45 (right), 15 (top), 35 (bottom)
	Lumen (cd / m2)	200
	Contrast	400
	Backlight life	10,000 hours (Min.)
<b>touch screen</b>	Type	10-point projected capacitive touch screen
	Transmittance	86±5% at 550 nm wavelength
	Controller	USB Interface
	Durability	200 million times
<b>environment</b>	Operating temperature	0 ~ 50°C with SSD 0 ~ 40°C with HDD
	storage temperature	-40 ~ 60°C
	Relative humidity	10 ~ 95% @ 40°C (Non-condensing)
	EMC	CCC , CE
	Safety	CCC
	Front panel protection	IP65 standard

Unit: mm

Size

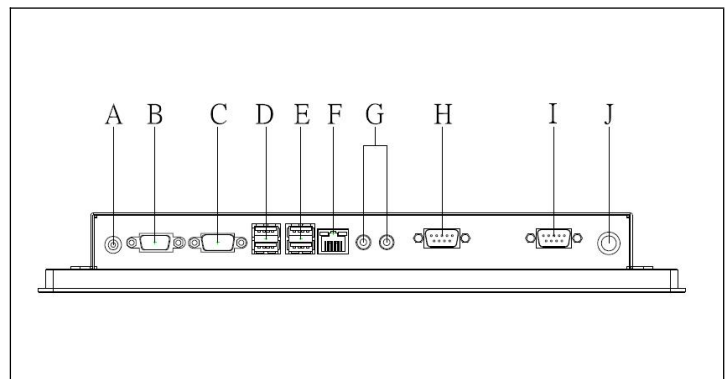


Hole Size: 340.3 x 225.3 mm

Order Details

Part No	Description
Z10 PA-140TPC-B(J18)	Intel Celeron J1800 processor
Z10PA-140TPC-B (J19)	Intel Celeron J1900 processor
Z10 PA-140TPC-B (385)	Intel Celeron 3855u processor
Z10 PA-140TPC-B (I3)	Intel Core i3 processor( Optional 4 <sup>th</sup> /6 <sup>th</sup> )
Z10 PA-140TPC-B (I5)	Intel Core i5 processor( Optional 4 <sup>th</sup> /6 <sup>th</sup> )
Z10 PA-140TPC-B (I7)	Intel Core i7 processor( Optional 4 <sup>th</sup> /6 <sup>th</sup> )
Z10 PA-ARM-1	VESA standard wall bracket
Z10 PA-ACW-1	2.4G WIFI module with antenna
Z10 PA-ACW-2	5G dual-band WIFI module with antenna

J1800/J1900/3855u I/O interface



- A. DC-In
- B. VGA
- C. COM1(RS-232)
- D. 1 x USB 2.0, 1 x USB 3.0
- E. 2 x USB 2.0
- F. RJ45 LAN
- G. AUDIO\_Out&MIC\_IN
- H. COM2(RS-232)
- I. COM3(RS-232)
- J. POWER\_SW

Note: i3 / i5 / i7 configuration will increase HDMI \* 1 and reduce COM3