

Partaker F6

1U Standard soft routing



Product characteristics

- Integrated Intel®i5-3210M/2.5GHz dual-core quad-thread processor
- 1*SODDR3 1600 memory, maximum support 8GB
- 1*VGA+1*HDMI display output
- 6*RS232 DB9 serial port, COM2/3 support RS232/422/485)
- 2*RTL8111H Gigabit network card, support network wake-on, PXE function
- 2*USB2.0, 2*USB3.0
- 1U standard chassis, high quality galvanized steel plate

Specification

Model	Partaker F6	
Chassis	Material/Struct	1U standard chassis, high quality galvanized steel
	color	Asia silver black
	Dimensions	L430* 280*45MM
	Installation	1U standard rack
Mainboard	CPU	Integrated Intel®i5-3210M/2.5GHz dual-core quad-threaded processor, TDP
	SoC	Powered by Intel® HM77 Express Chipset
	display	Integrated Intel® HD Graphics 4000 core graphics
	memory	1*SODDR3 memory slot, support single-channel DDR3 1600/1333 memory,
Front I/O	POWER	1* Power switch
	LED	1* power indicator, 1* hard disk indicator
	USB	2* USB2.0 interface
Rear I/O	Display	1*VGA interface, 1*HDMI interface
	LAN	2* RTL8111H Gigabit network card, support Wake on LAN, PXE function.
	COM	6* RS232 DB9 serial port (COM1/COM2 9th pin supports live function,
	USB	2* USB3.0
	audio	1* Line out interface, 1* MIC interface
	power supply	1*Power connector
Storage	SATA	1* SATA 2.0 with a transmission rate of up to 3Gbps
	SSDs	1*MSATA, transmission speed up to 6Gbps
Expand	Mini PCIE	1* Mini-PCIE slot, support WIFI, 3G/4G module
	M.2	N/A
System support	Microsoft	Window 7
	Linux	Ubuntu
	Watch Dog	Support hardware reset function (256 levels, 0~255 seconds)
Power requirements	Power supply	Open frame power
	Voltage input	AC 110-220V
	Power output	AC TO DC, 12V/5A/60W
Environment	Operating	-10°C ~ 50°C
	Storage	-20°C ~ 70°C
	relative	5%-95% relative humidity, non-condensing
	Work vibration	0.5g rms/5-500HZ/random/operating

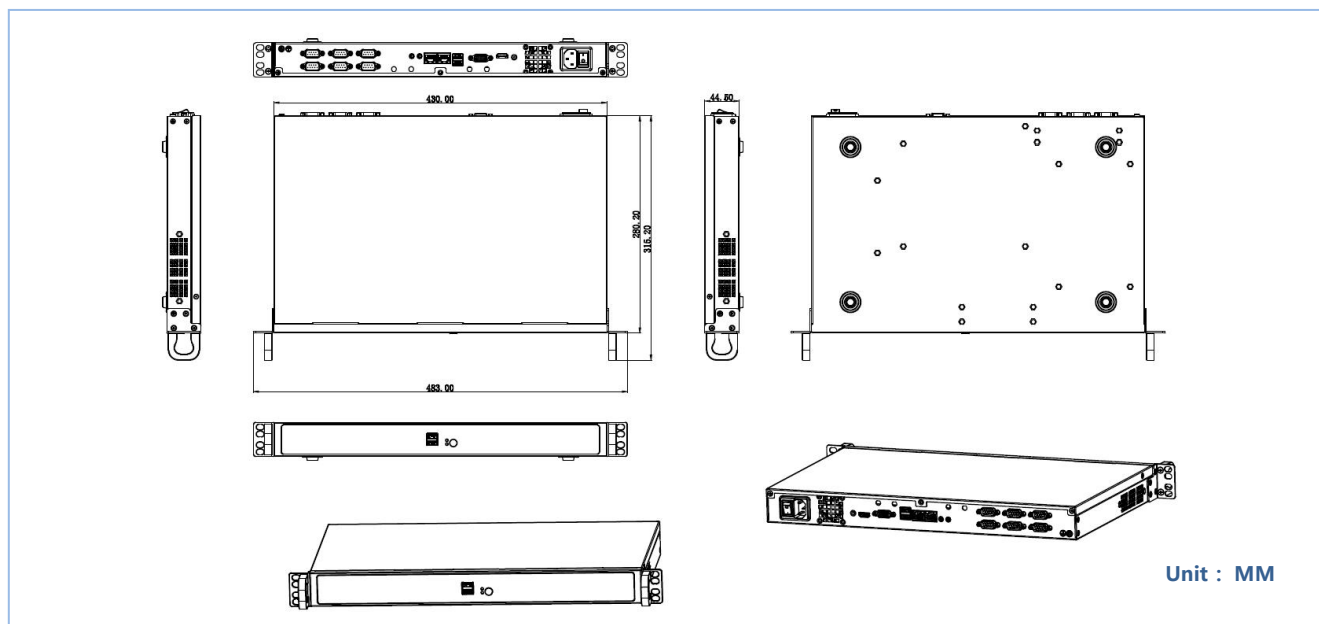


Inctel Technology Co., Ltd

www.inctelpc.com

All product specifications are subject to change without notice

Dimensional drawing



Front panel external I/O view



External I/O view on the rear panel



Order Information

No.	Model	Processor	Motherboard	Memory	LAN	COM	HDMI	VGA	USB2.0	USB3.0	power
1	F6	3210M /2.5GHz	B320	1*SODDR3	2	6	1	1	2	2	DC 12V